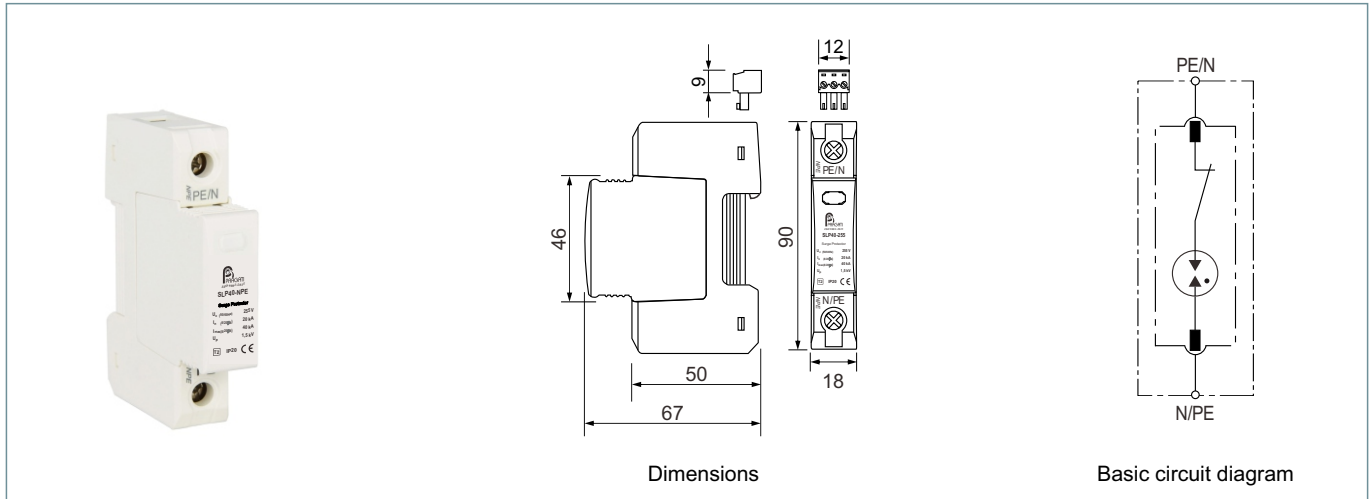


SLP40-NPE SLP40-NPE

Pluggable single-pole surge arrester consisting of a base part and plug-in protection module; with floating changeover contact.

- Multi-purpose surge arrester consisting of a base element and plug-in protection module
- High discharge capacity due to GDT



SPD according to EN 61643-11 / IEC 61643-11		type 2 / class II
Nominal a.c. voltage	U_n	0 V AC (50/60 Hz)
Max. continuous operating a.c. voltage	U_c	255 V AC (50/60 Hz)
Nominal discharge current (8/20 μ s)	I_n	20 kA
Maximum discharge current (8/20 μ s)	I_{max}	40 kA
Voltage Protection level	U_p	1,5 kV
Response time	t_a	100 ns
Short-circuit current rating	I_{SCCR}	25 kA _{rms}
Temporary overvoltage (TOV) [N-PE] (U_T) - Characteristic		1200 V / 200 ms. - withstand
Range of operating temperatures	T_U	-40/+70°C
Number of ports		1
Cross-sectional area (min.)		1.5 mm ² solid /flexible
Cross-sectional area (max.)		35 mm ² stranded / 25 mm ² flexible
For mounting on		35 mm DIN rail acc. to EN 60715
Enclosure material		thermoplastic
Place of installation		indoor installation
Degree of protection		IP 20
Capacity		1 module(s), DIN 43880
Approvals		CE